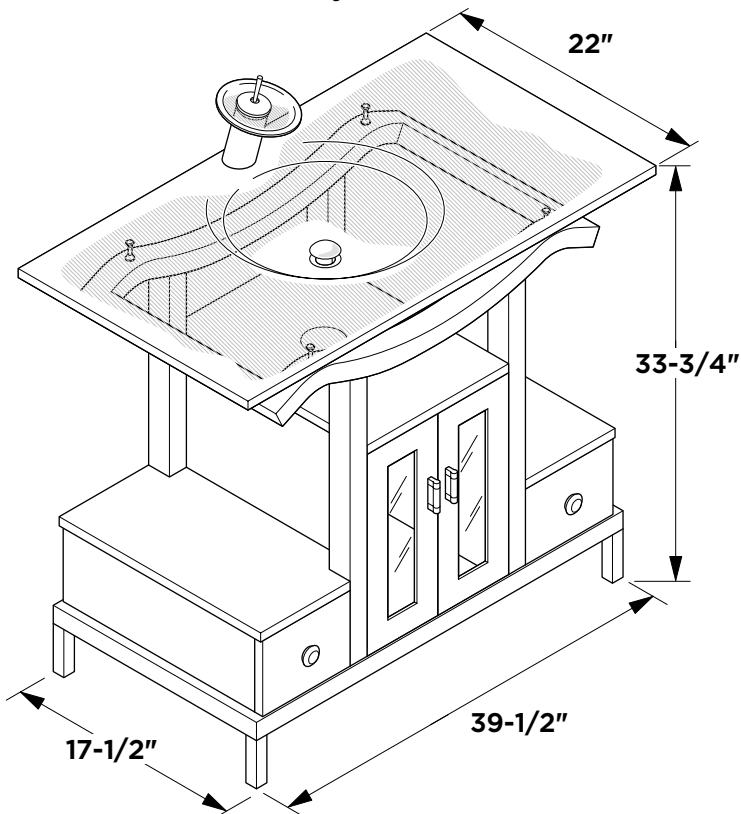
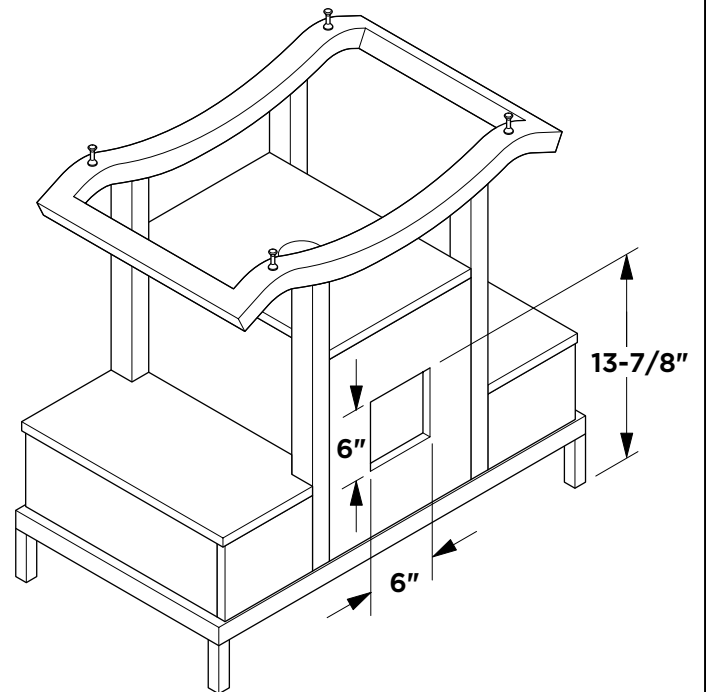


FVN3306

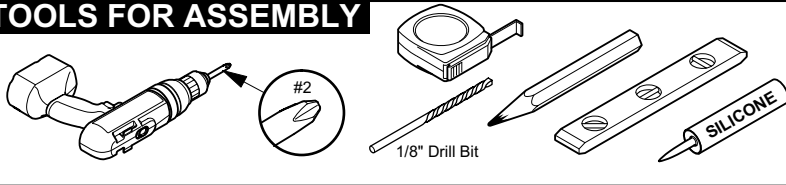
Vanity Front



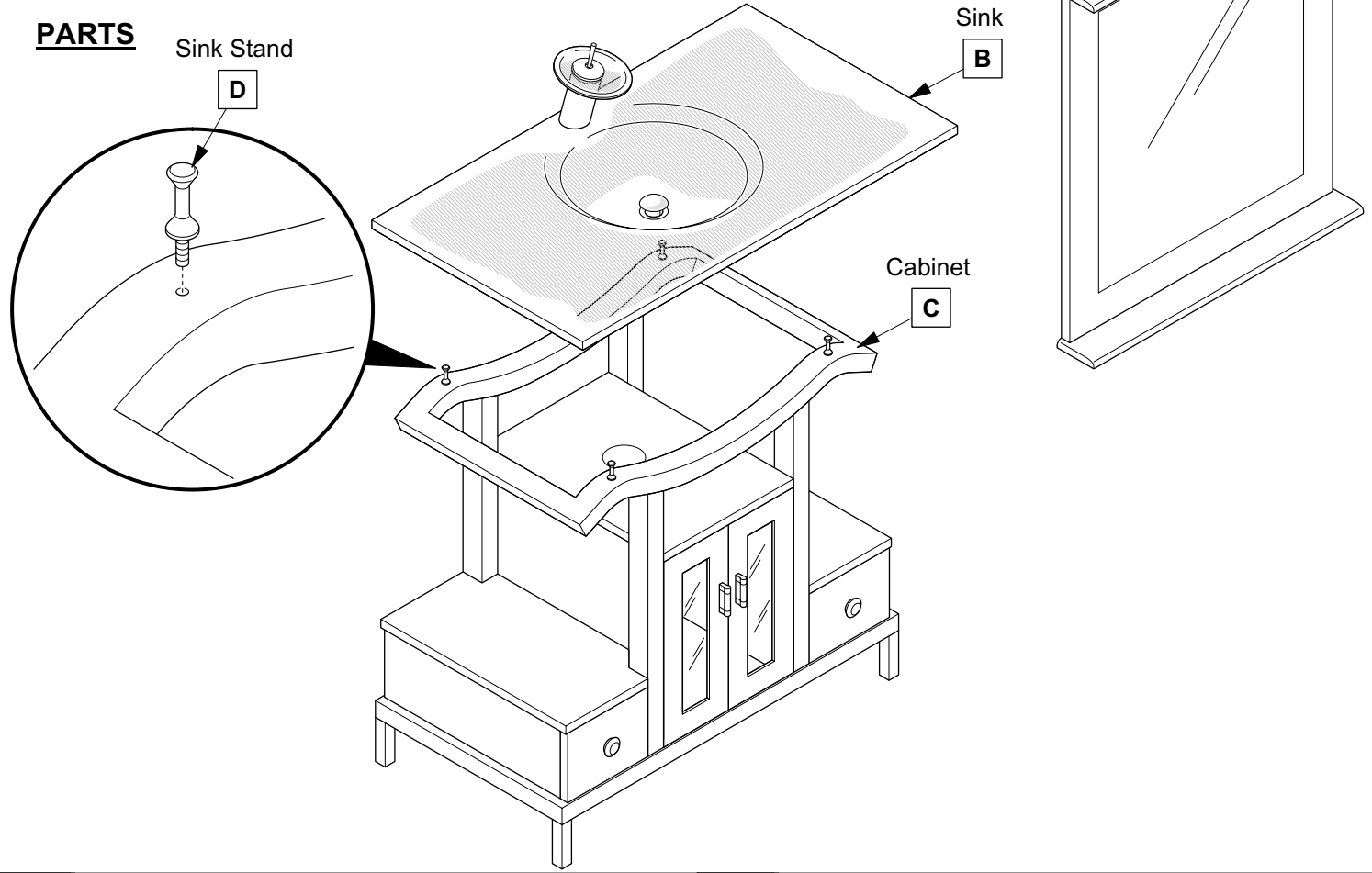
Vanity Back



TOOLS FOR ASSEMBLY

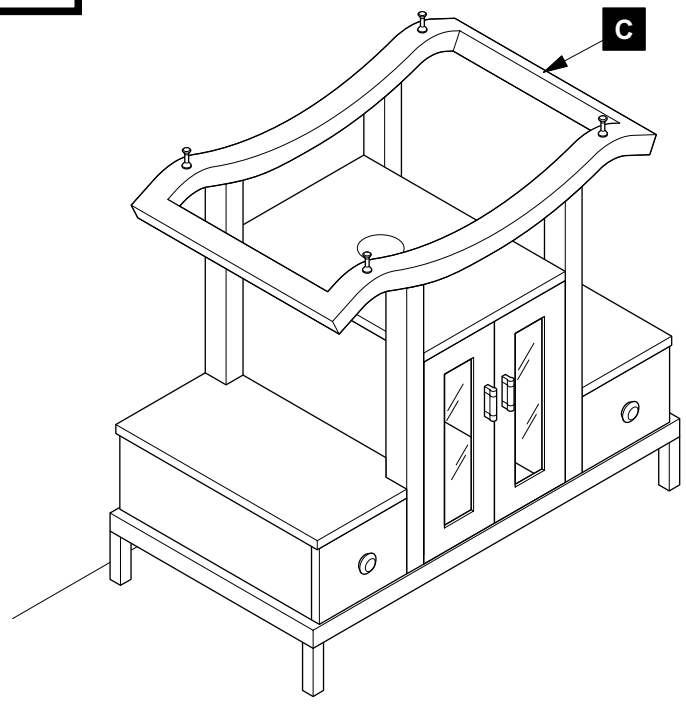


PARTS



1

Position cabinet (C)



2

Apply silicone and install sink (B)

