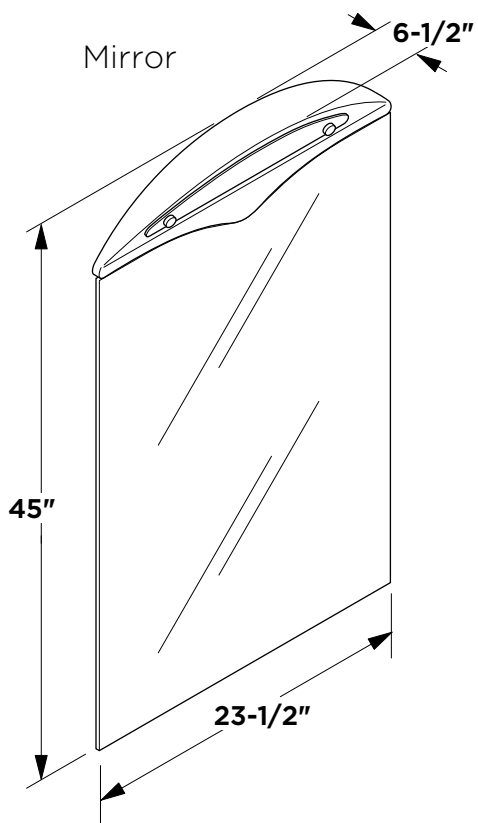




FVN5060
CALMO
INSTALLATION GUIDE



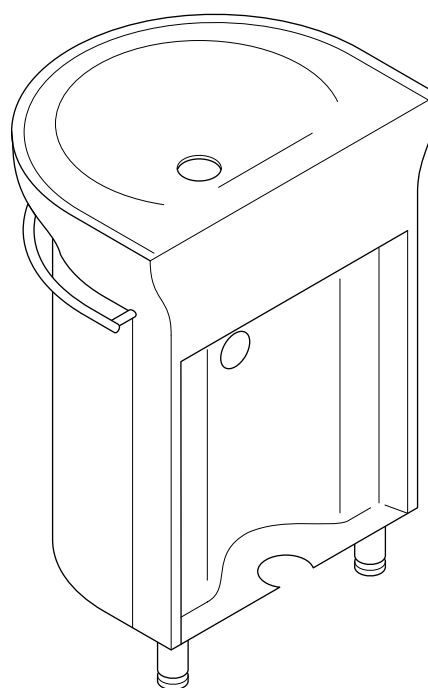
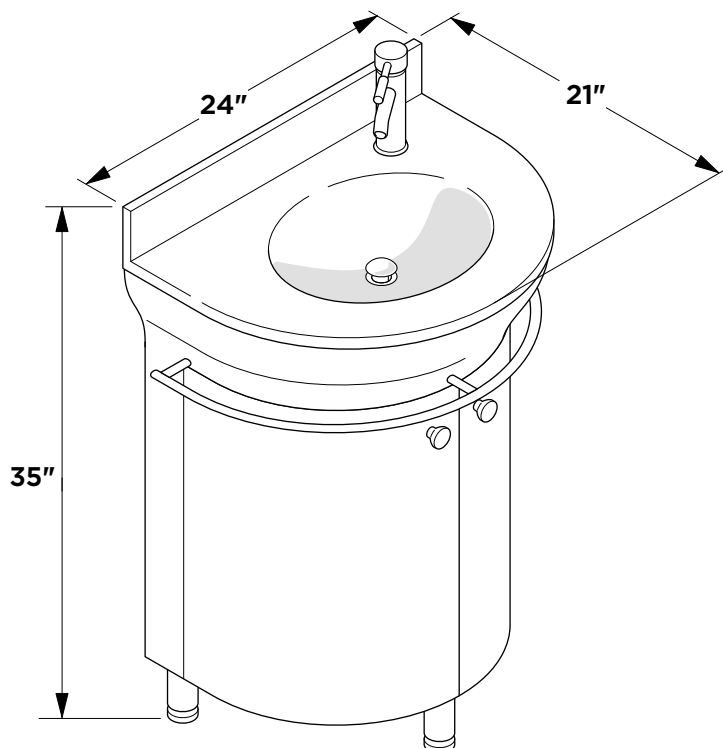
Mirror



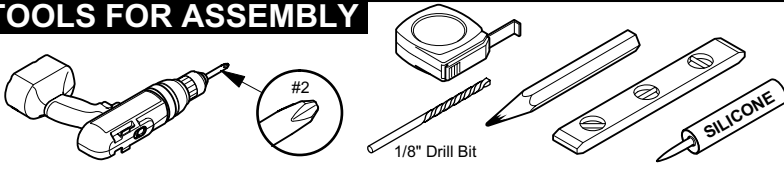
FVN5060

Vanity Front

Vanity Back

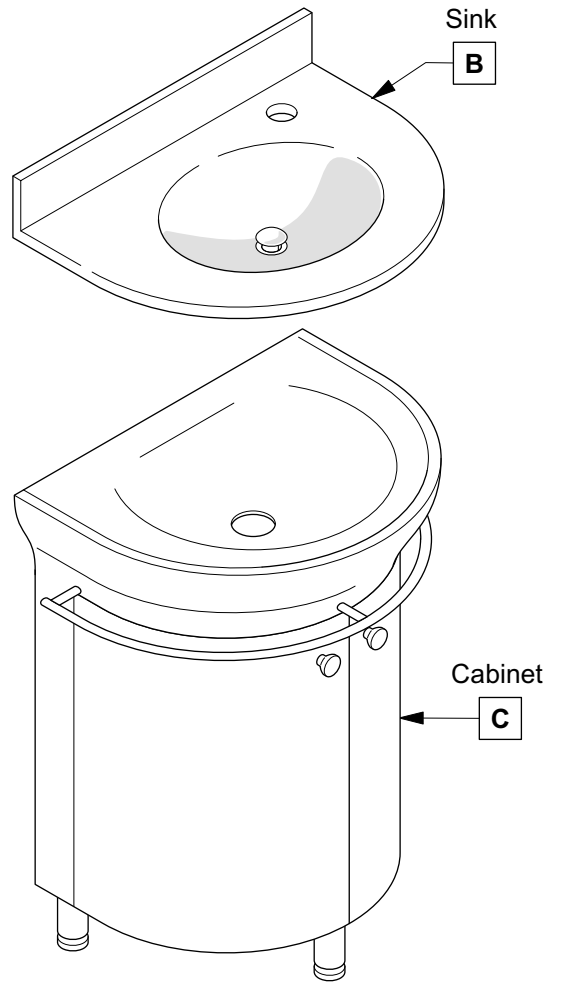
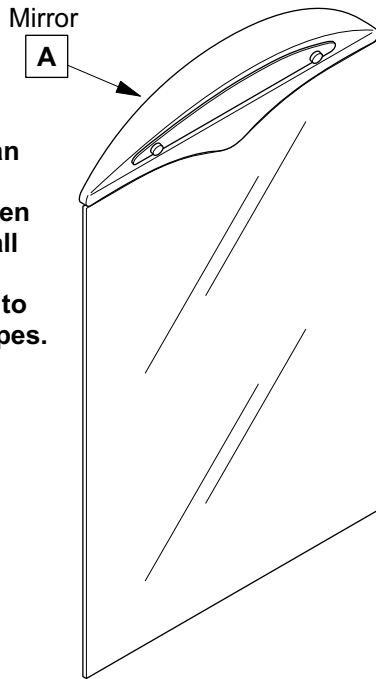


TOOLS FOR ASSEMBLY

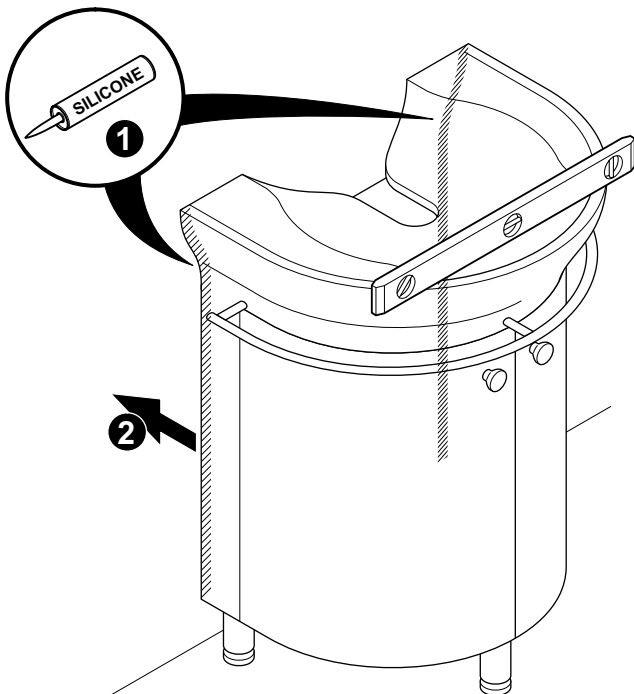


PARTS

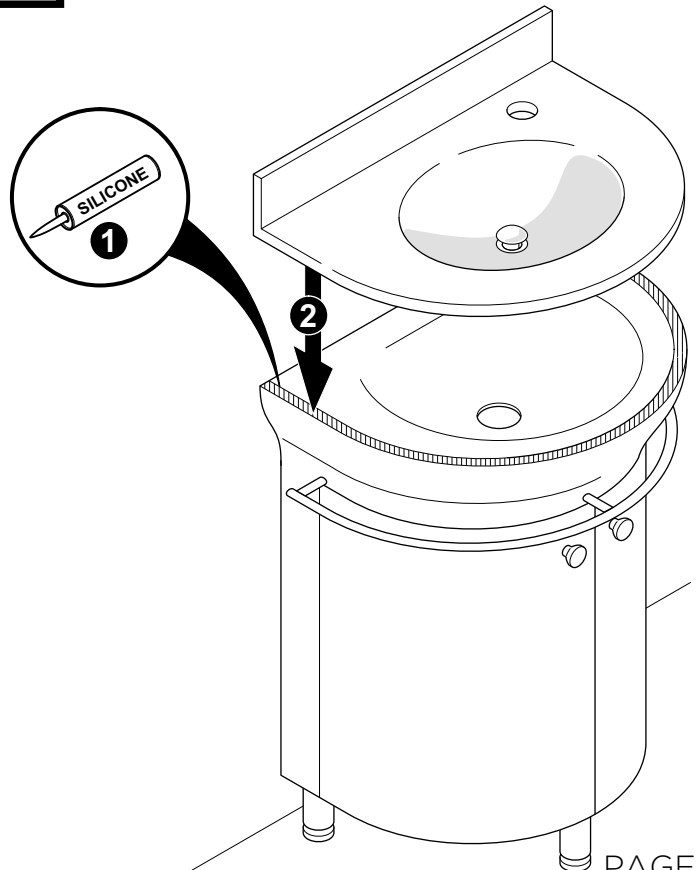
IMPORTANT: Consult an expert for the proper screws/bolts to use when attaching to various wall constructions. Screws provided do not attach to all wall construction types.



1 Position cabinet (C)



2 Apply silicone and install sink (B)



1

Install mirror (A)

IMPORTANT: Consult an expert for the proper screws/bolts to use when attaching to various wall constructions. Screws provided do not attach to all wall construction types.

