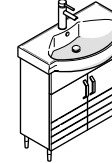
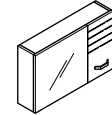
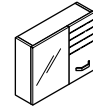
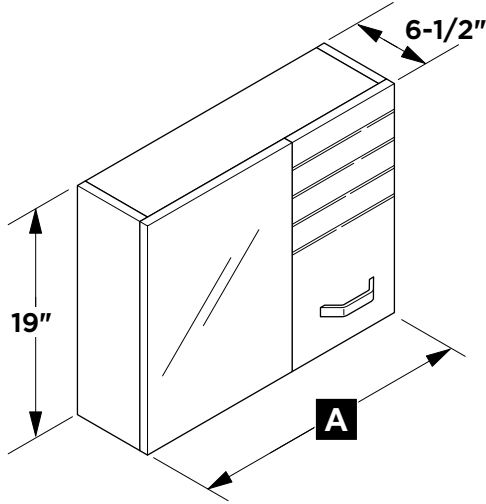


FVN5075 & FVN5077
VERITA
INSTALLATION GUIDE



Mirror

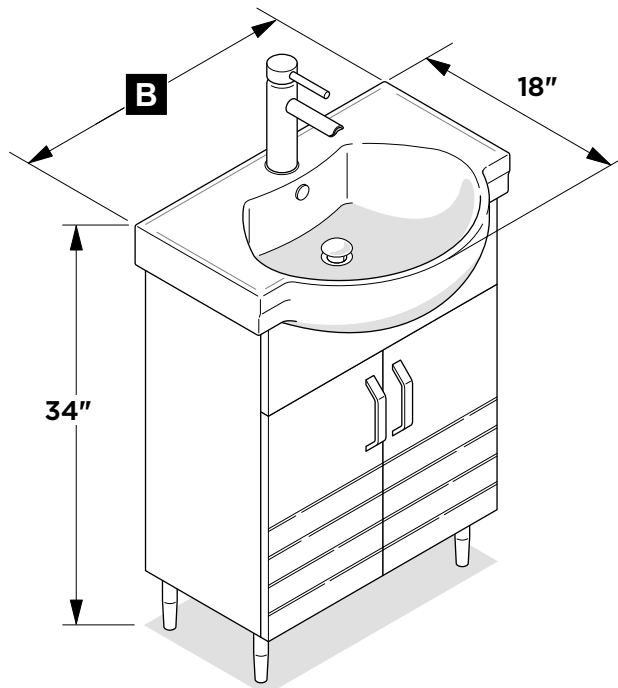


FVN5075

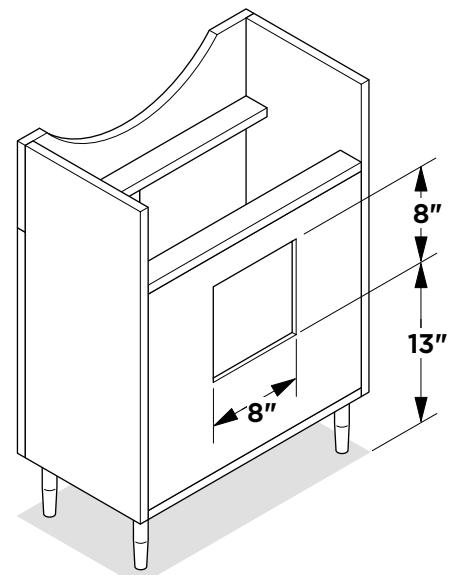
FVN5077

Model	Mirror Width A	Vanity Width B
FVN5075	23-1/2"	24"
FVN5077	29-1/2"	30"

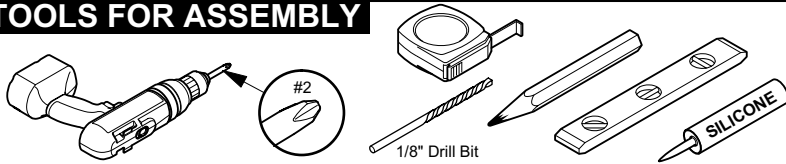
Vanity Front



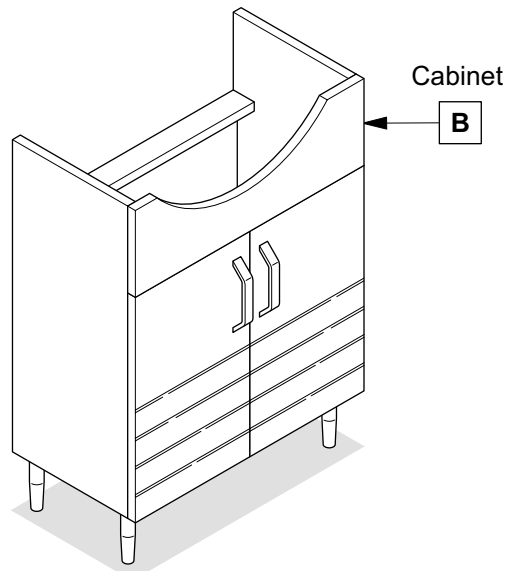
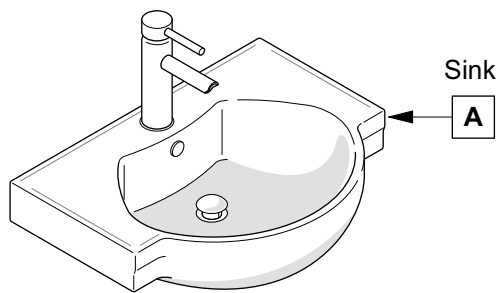
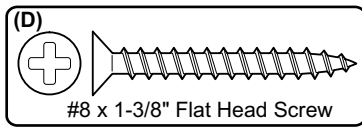
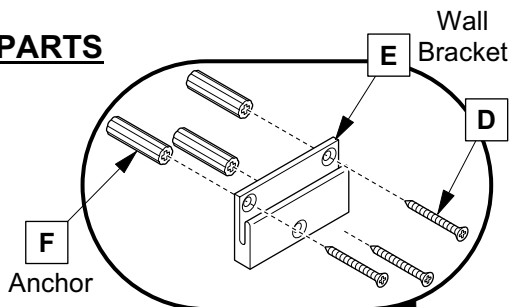
Vanity Back



TOOLS FOR ASSEMBLY

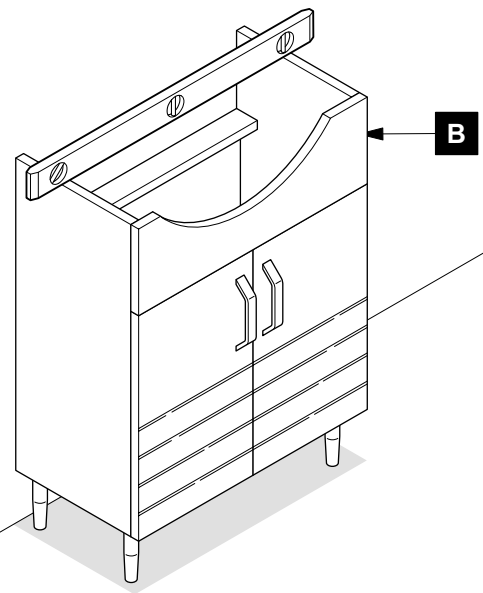


PARTS

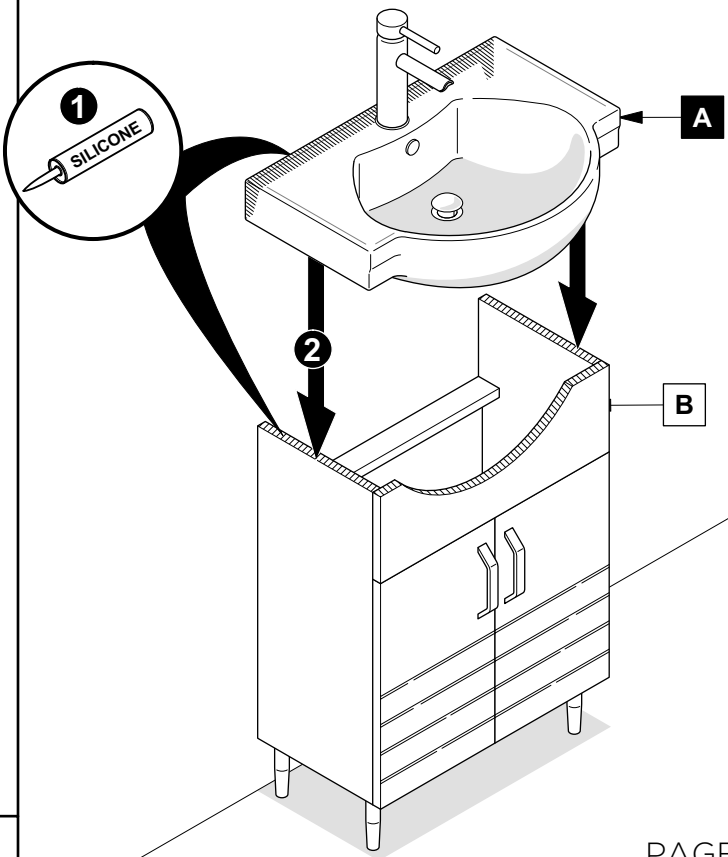


1 Install cabinet (B)

IMPORTANT: Consult an expert for the proper screws/bolts to use when attaching to various wall constructions. Screws provided **do not** attach to all wall construction types.



2 Apply silicone and install sink (A)



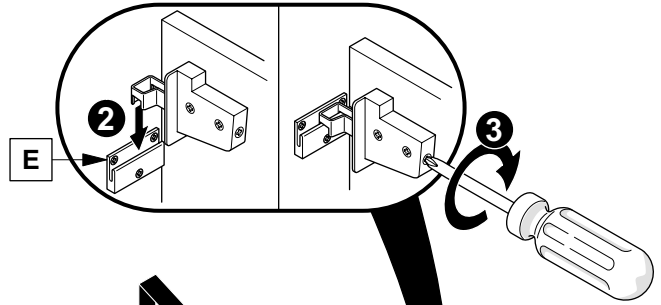
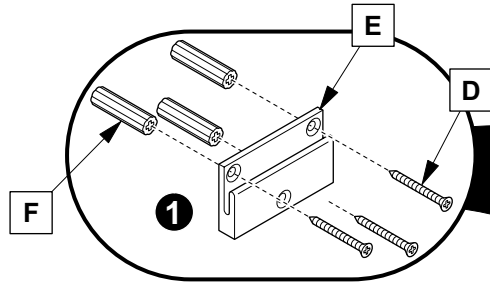
3

Install brackets (E)

4

Install medicine cabinet (C)

IMPORTANT: Consult an expert for the proper screws/bolts to use when attaching to various wall constructions. Screws provided do not attach to all wall construction types.



NOTE: Only use anchors (F) if stud (2"x4" frame) is not available.

